



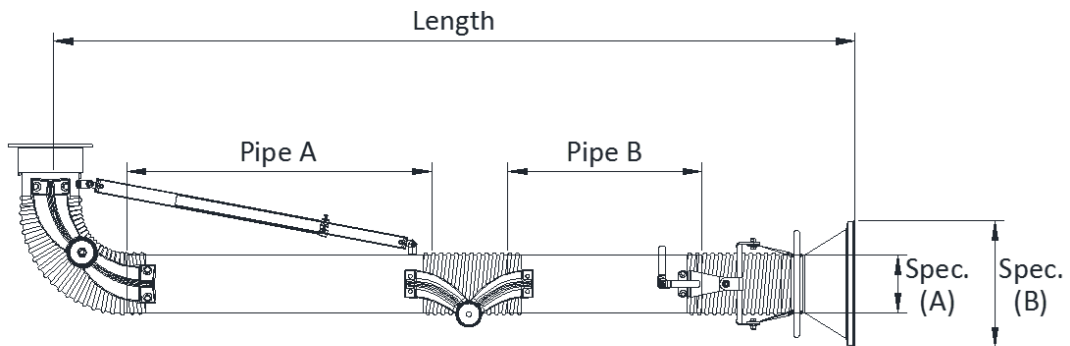
# Extract-All™

An exclusive Air Impurities  
Removal Systems, Inc. brand

## HANGING FUME ARM



### SPECIFICATIONS



Model No.	Spec.(A)	Spec.(B)	Length (feet / m)	Pipe A (in/mm)	Pipe B (in/mm)
EA54	Ø 4"	Ø 10"	5' / 1.5m	24" / 610 mm	16" / 410 mm
EA74	Ø 4"	Ø 10"	7' / 2m	31.5" / 800 mm	20" / 610 mm
EA854	Ø 4"	Ø 10"	8.5' / 2.5m	39" / 990 mm	31.5" / 800 mm
EA76	Ø 6"	Ø 13"	7' / 2m	31.5" / 800 mm	20" / 510 mm
EA1006	Ø 6"	Ø 13"	10' / 3m	39" / 990 mm	39" / 990 mm
EA78	Ø 8"	Ø 14"	7' / 2m	31.5" / 800 mm	20" / 510 mm
EA1008	Ø 8"	Ø 14"	10' / 3m	39" / 990 mm	39" / 990 mm

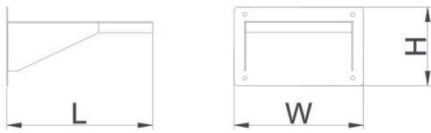
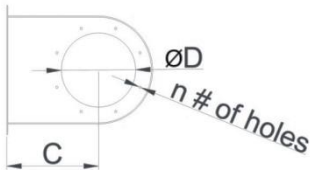


# Extract-All™

An exclusive Air Impurities  
Removal Systems, Inc. brand

## HANGING FUME ARM

### STANDARD HANGING MOUNT BRACKET



Model No.	BR004	BR005	BR006	BR008
ØD	4"	5"	6"	8"
n	4	6	6	8
C	4.9"	5.7"	9.8"	9.8"
L	8.5"	9.9"	14.5"	15.7"
W	7.9"	9.4"	10.0"	13.9"
H	5.7"	6.5"	6.5"	8.5"

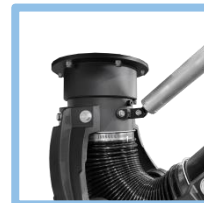
### FEATURES

- Industrial Strength and Durability
- Easy to maneuver
- Smooth Tube Construction
- External Supports and Self Locking Joints
- All Around Hood and Tube Grab Handles
- Black PVC flexible hoses rated to 195° F



### BENEFITS

- Easy to Adjust and Maintain
- Simple and Stable Positioning
- User Friendly Construction
- Hood diverter increasing capture velocity
- External joints with low pressure drop



### CONTACT INFORMATION

**Air Impurities Removal Systems, Inc.** (A.I.R. Systems, Inc.)

- Phone: 414-257-1770
- Fax: 414-257-3594
- Email: [sales@airsystems-inc.com](mailto:sales@airsystems-inc.com)
- Address: 166 North 121st Street  
Wauwatosa, Wisconsin 53226
- Website: [www.airsystems-inc.com/](http://www.airsystems-inc.com/)



**Extract-All™**  
An exclusive Air Impurities  
Removal Systems, Inc. brand