



Extract-All™

An exclusive Air Impurities
Removal Systems, Inc. brand

Extract-All™ Extractor Arms

Model EA Series

Designed for direct-source capture of various airborne contaminants, A.I.R. Systems Extract-All extractor arms direct hazard or nuisance contaminants away from the workplace - safely, efficiently, and cost-effectively.

Easy to Move and Position

Moving this arm up and down is easy, the hood swivels up to 360 degrees for precise positioning, and all units swing a full 180 degrees from left to right, when wall mounted. There is no need to disassemble the unit to adjust the arm tension. Simply turn the easily-accessible knobs to tighten or loosen the joints, so that the arm remains securely where you put it. On 6' and 8' long arms, a sealed gas support cylinder insures that the proper position is maintained. Brackets that come with the unit provide versatile mounting on wall, ceiling, or stand.

Features

- Arms are 4" diameter, and available in 4', 6' and 8' lengths
- Mounting brackets are heavy-duty welded steel
- Arms feature aluminum tubing, with heavy-duty flex hose at joints
- A sealed, gas-assisted shock adds extra support on each 6' and 8' long arm
- External support design provides less resistance to air flow, less maintenance, and greater ease of use.



Extract-All™
Model EA Series Offers
3 Year Warranty

Specifications

ARM CONSTRUCTION: .065" wall aluminum arm tubes, heavy duty flex hose, and spun aluminum hood.

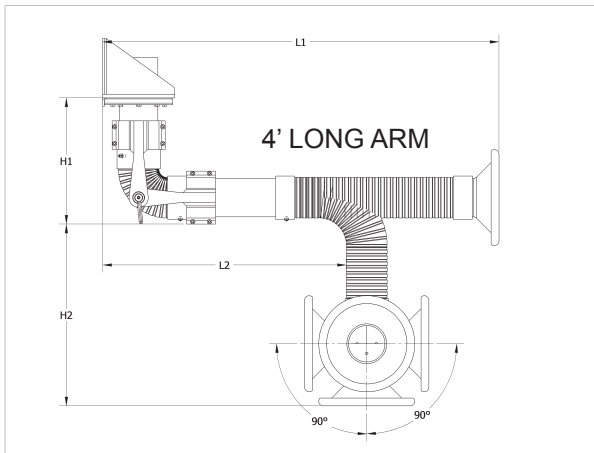
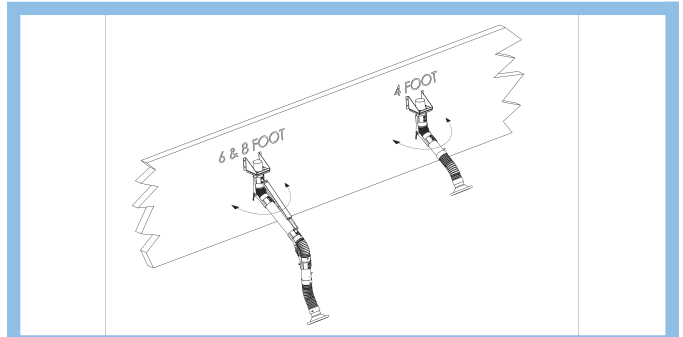
ARM SUPPORT: Heavy-duty external joints with adjustment knobs, plus an internal joint between the hose arm tube and hood. Also, a sealed gas-assisted shock is featured on each 6' and 8' long arm.

MOUNTING BRACKET: Heavy-duty welded steel - standard.

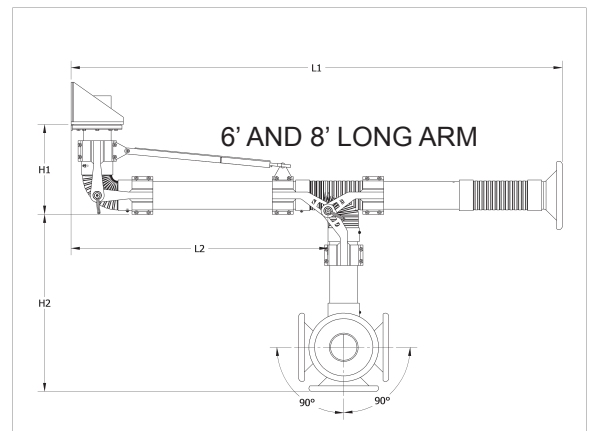
FINISH: Industrial black textured powder coat paint finish

	Model EA44 4 FT.	Model EA64 6 FT.	Model EA84 8 FT.
L1	47 IN.	78.5 IN.	100.5 IN.
L2	32 IN.	47 IN.	57 IN.
H1	13.5 IN.	13.5 IN.	13.5 IN.
H2	13.5 IN.	33 IN.	44.5 IN.
Weight	22 LBS.	37 LBS.	39 LBS.

When wall hung, all arms swing 180° left to right. (Up to 360° swing with other mounting options.)



MULTI-AXIS INLET HOOD



MULTI-AXIS INLET HOOD

All data has been obtained under controlled conditions. Variables occurring under actual working conditions may cause a slight variance to these specifications. In order to facilitate product improvements, specifications are subject to change without notice.

AIR IMPURITIES REMOVAL SYSTEMS, INC.
 166 N. 121st Street • Wauwatosa, Wisconsin 53226
 Toll Free: (800) 236.1889
 Phone: (414) 257.1770 • Fax: (414) 257.3594
info@airsystems-inc.com • www.airsystems-inc.com



Extract-All™
 An exclusive Air Impurities
 Removal Systems, Inc. brand